

# GXCON ENTERPRISE CO., LTD

DOCUMENT NO.

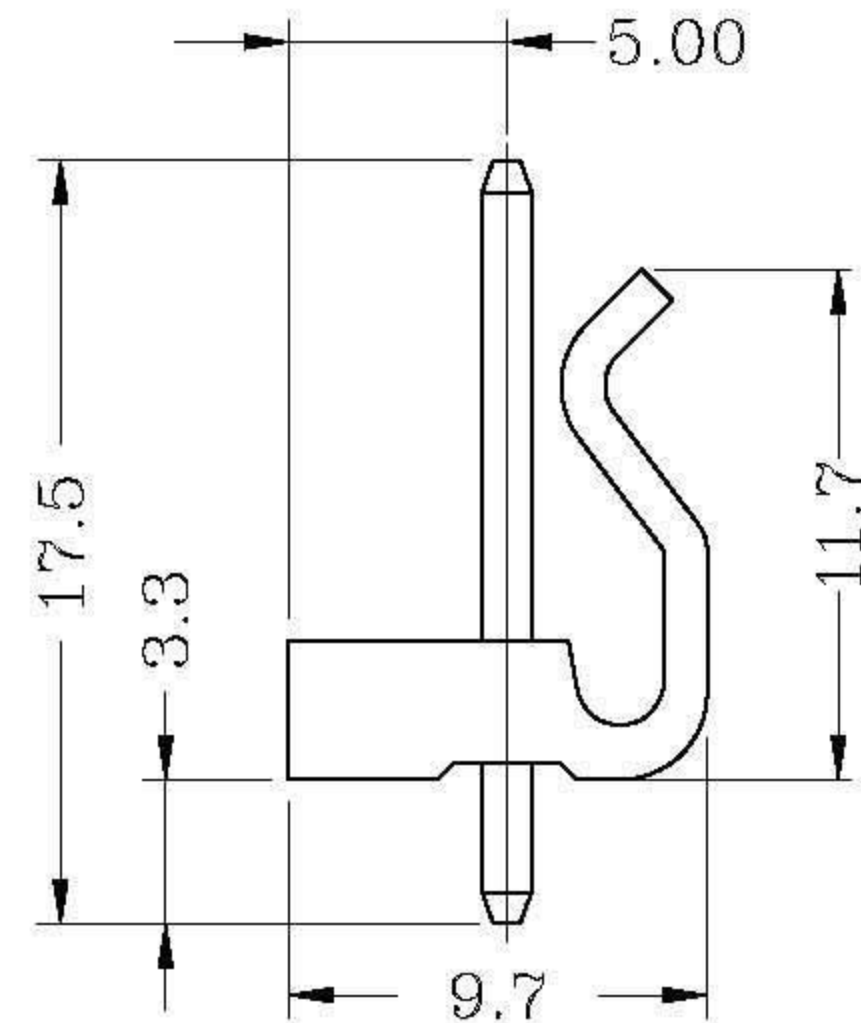
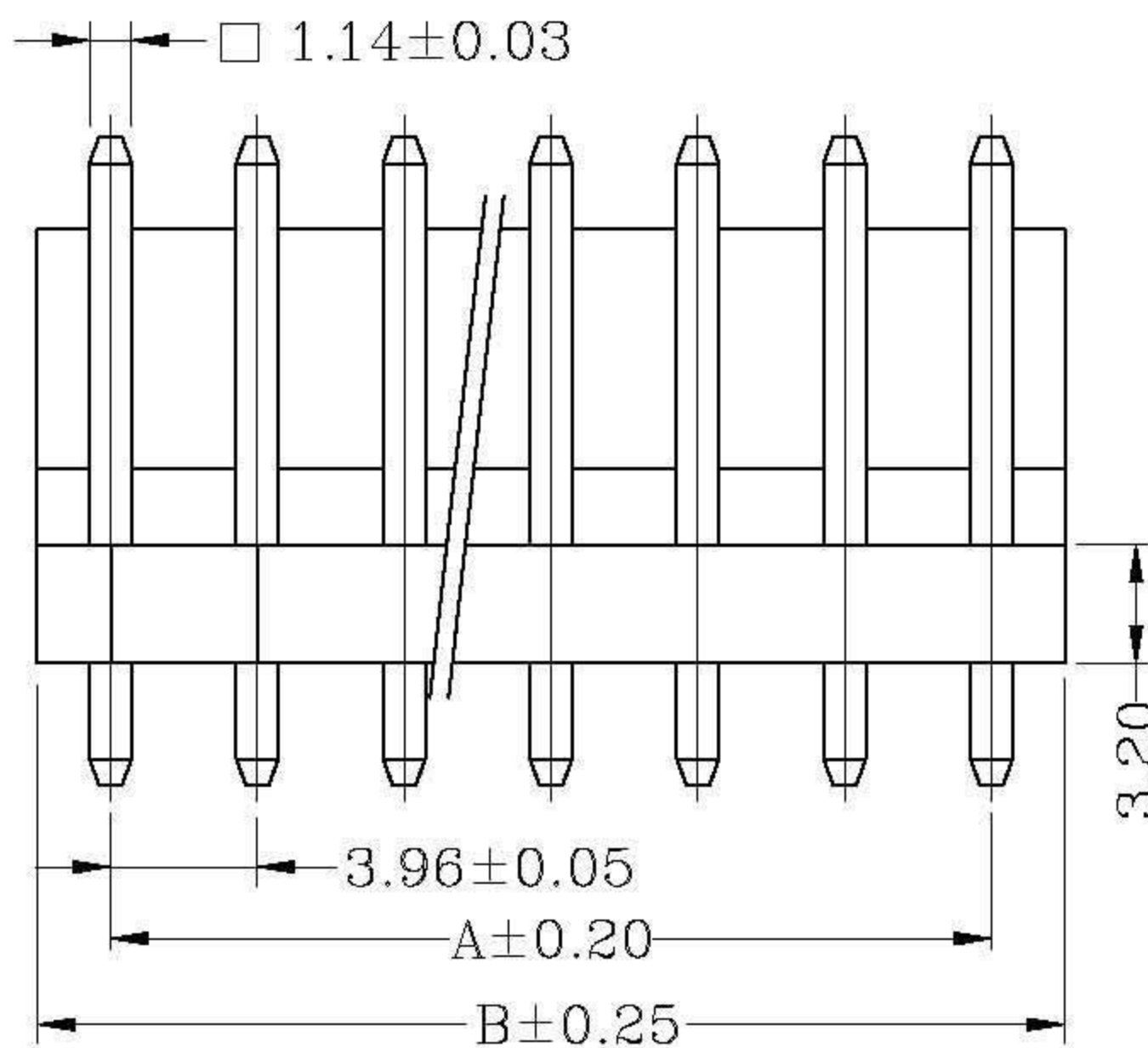
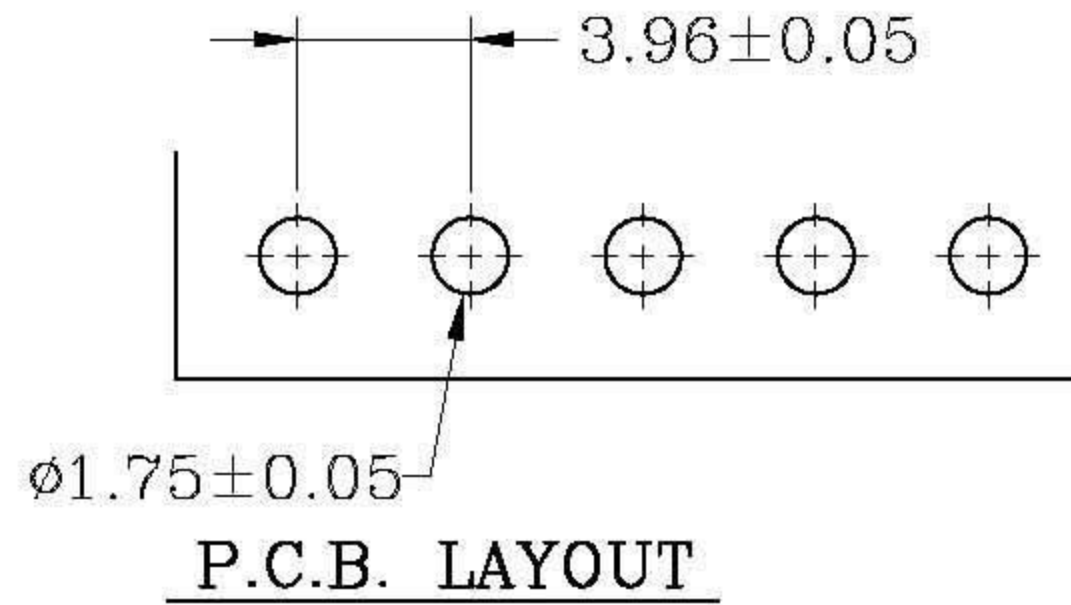
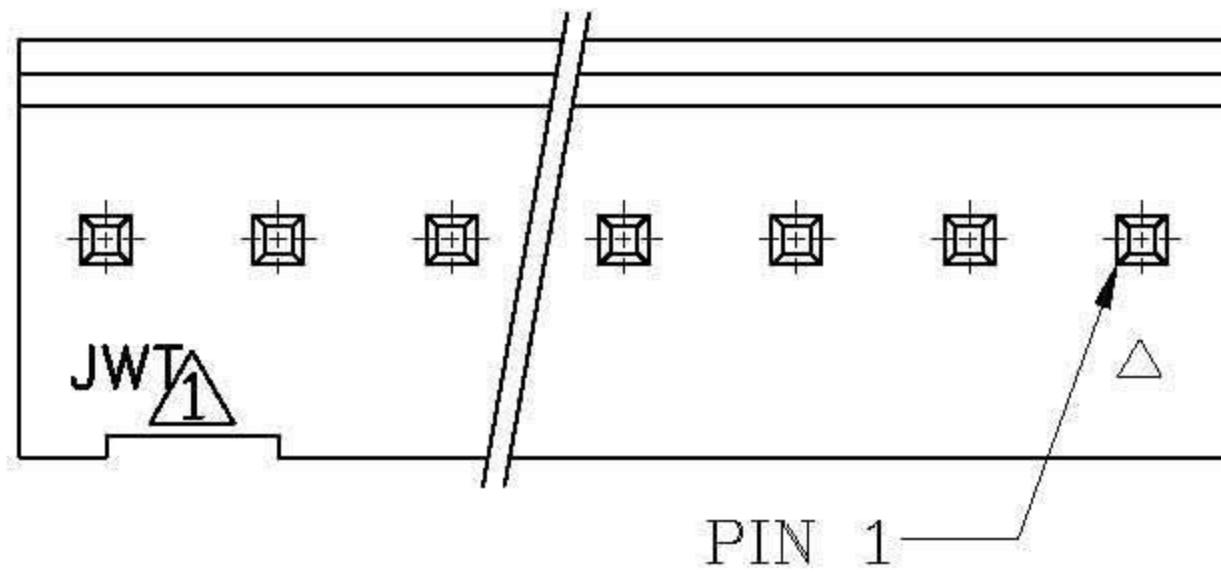
SERIAL NO.

WF3960SXX

Material: \*Insulator: Nylon 66 UL 94V-2 or UL 94V-0

\*Contact: 1.14mm Tin Plated Square Pin

Note:  $\triangle$  Design requirements, no function influence



**Dimensional & Ordering Information:**

Circuits	Dimensions		PCS/BAG
	A	B	
2	—	7.92	1000
3	7.92	11.88	1000
4	11.88	15.84	1000
5	15.84	19.80	1000
6	19.80	23.76	1000
7	23.76	27.72	500
8	27.72	31.68	500
9	31.68	35.64	500
10	35.64	39.60	250
11	39.60	43.56	250
12	43.56	47.52	200
13	47.52	51.48	200
14	51.48	55.44	200
15	55.44	63.36	200
16	59.40	59.40	200
17	63.36	67.32	100
18	67.32	71.28	100
19	71.28	75.24	100
20	75.24	79.20	100

REV.	ECN NO.	UNIT	TOLERANCE	PROJECTION	DRAWING	CHECK	APPROVAL
$\triangle B$		mm	*** $\pm 0.08$				
			** $\pm 0.15$				
$\triangle C$			* $\pm 0.25$				